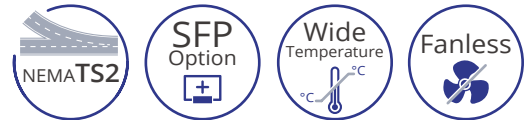


ED3575

Hardened Managed Ethernet Switch/Extender



Product Highlights

➤ Versatility

- Managed platform with dual functions as a switch and an extender
- Dual SFP ports for fiber connectivity
- Dual VDSL2 ports extend data up to 2.2km using legacy copper pair wire

➤ Hardened-Grade for Non-Ventilated & Harsh Environments

- Wide operating temperature range of -40 to 75°C (-40 to 167°F)
- Fanless operation
- High impact, thermal shock, and electrical noise resistance

➤ Management/Security Features

- Port control
- 802.1x port-based network access control and remote authentication through RADIUS and TACACS+
- Configure and monitor with eVue™ and eLite™

➤ Support

- Complimentary Technical Support
- Free Firmware Upgrades and notifications
- Limited Lifetime Warranty

Overview

EtherWAN's ED3575 is a hardened managed Ethernet switch and extender combo. Equipped with Ethernet, SFP, and copper extender ports, the ED3575 bridges the gap between modern and legacy infrastructures, providing the flexibility and versatility for networks in urban infrastructure, transportation, security, and other areas where connectivity is crucial.

Ordering Information

Model

ED3575-622 6-port 10/100BASE-TX + 2-port 10/100/1000BASE-T / 100/1000BASE SFP Combo + 2-port VDSL2

Software Features

| | |
|---|---|
| Interface | + |
| CLI, Telnet, Web GUI | |
| Management | + |
| Firmware upgrade | |
| Configuration backup | |
| DHCP Server/Client | |
| RMON (Remote Monitoring): group 1, 2, 3, 9 | |
| Port Mirroring | |
| NTP (Network Time Protocol) synchronization | |
| LLDP (Link Layer Discovery Protocol) | |
| IPv4/IPv6 | |
| SNMP v1/v2c/v3 | |
| Security | + |
| MAC Address filtering | |
| Enable/Disable port | |
| Storm control | |
| System logging | |
| IEEE 802.1x LAN Access Control | |
| Remote authentication through RADIUS and TACACS+ | |
| Complex password support | |
| Multi-user login and privileged access management | |
| SSH for CLI and Telnet security | |
| SSL and HTTPS for web security | |
| ACL (Access Control List, up to 4096 entries) | |
| Quality of Service (QoS) | + |
| Priority Queues: 8 queues per port | |
| Traffic classification based on IEEE 802.1p CoS (Cost of Service), DSCP (Differentiated Services Code Point), WRR (Weighted Round Robin), and strict mode | |
| Rate Limiting (Ingress/Egress) | |

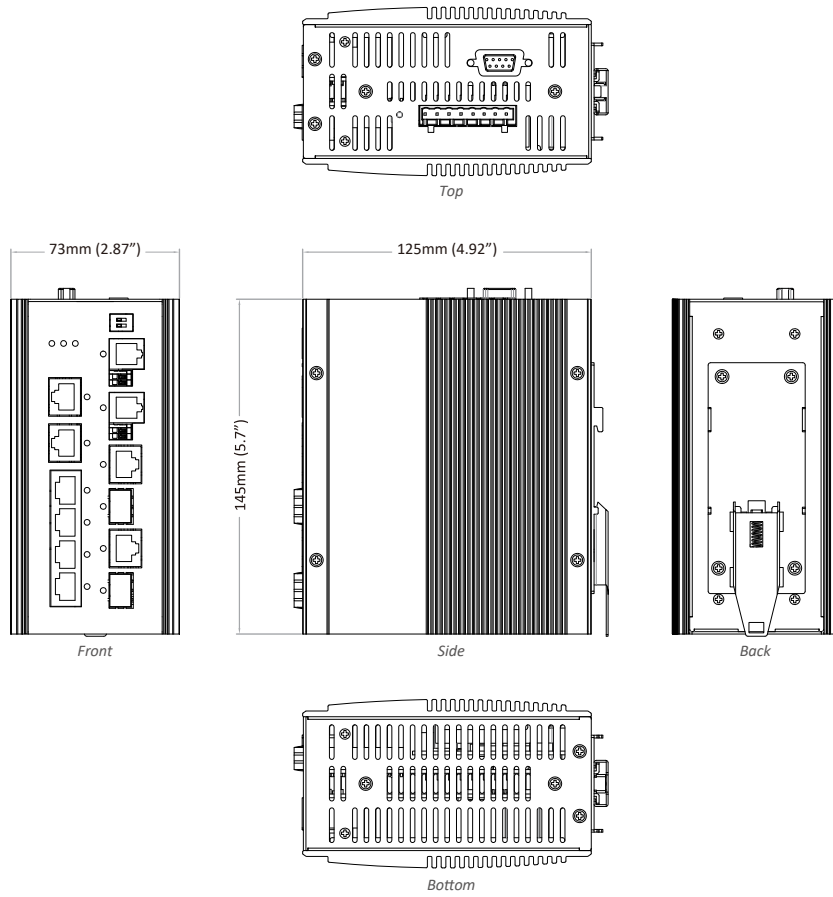
| | |
|--|---|
| Layer 2 Features | + |
| Auto-negotiation for port speed and duplex | Flow Control IEEE 802.3x full duplex mode Back-pressure half duplex mode |
| Redundant Protocols | IEEE 802.1D STP IEEE 802.1w RSTP IEEE 802.1s MSTP EtherWAN's Alpha-Ring network fault recovery |
| VLANs | IEEE 802.1Q Tag VLANs GVRP GMRP |
| Link Aggregation | Static Trunk (4 groups) IEEE 802.3ad LACP |
| IGMP Snooping v1/v2/v3 | |
| Switch Properties and Performance | + |
| Switching Fabric | 5.6Gbps |
| Total VLAN Entries | 256 (4096 VID) |
| MAC Table Size | 8K |
| Packet Buffer Memory | 2M bits |

Hardware Specifications

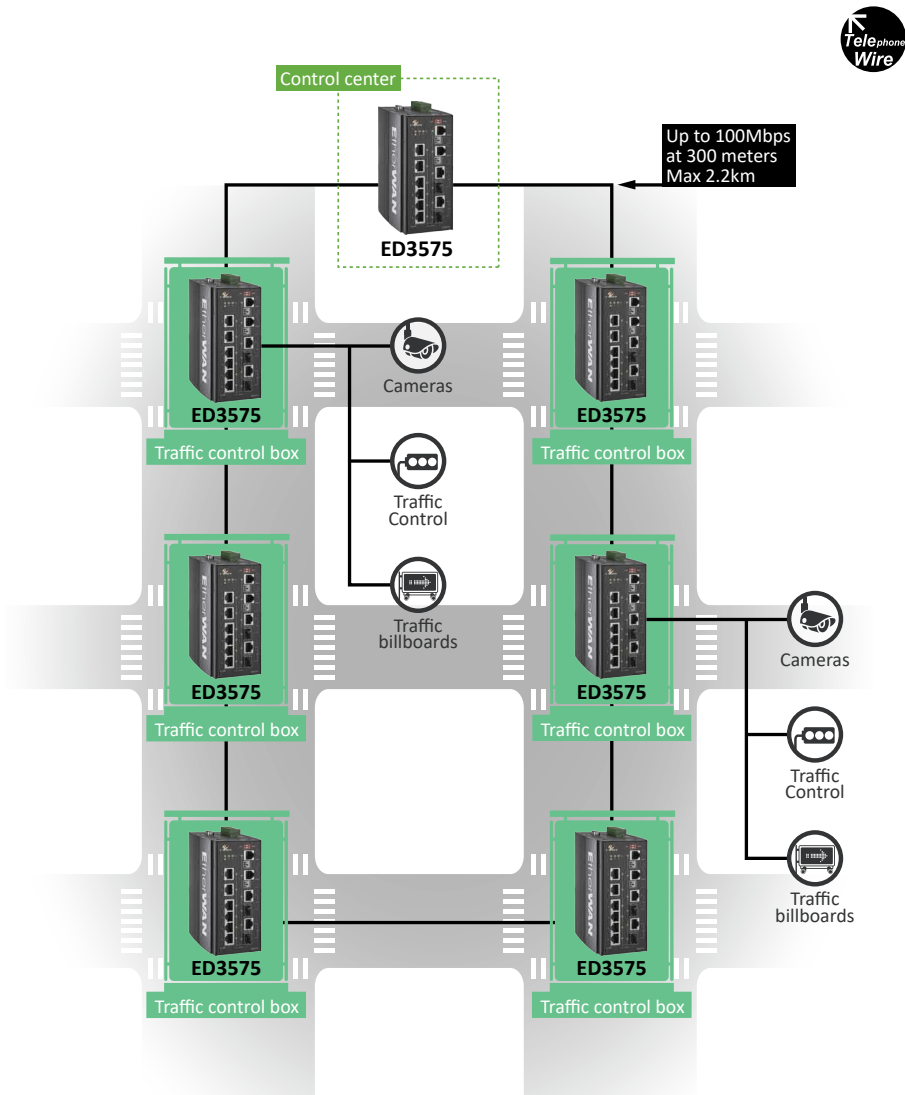
| Interface | | + |
|------------------------|--|---|
| Ethernet | 6 x 10/100BASE-TX 2 x 10/100/1000BASE-T and 100/1000BASE-X SFP Combo | |
| Extender Ports | 2 x RJ11 and Terminal Block Combo Cable: 24AWG. 0.5mm diameter, 1 pair | |
| Console | 1 x DB9 | |
| VDSL Operation | DIP Switch: Local or Remote | |
| Alarm Contact | 1 x Relay output, current capacity 1A/24VDC | |
| LED Indicators | Per Unit: Power 1, Power 2, Alarm Per RJ45 Port: Link/Activity Per Extender Port: Link | |
| Technology | | + |
| Standards | IEEE 802.3 10BASE-T IEEE 802.3u 100BASE-TX/100BASE-FX IEEE 802.3ad link aggregation control IEEE 802.3z 1000BASE-SX/1000BASE-LX IEEE 802.3x full duplex and flow control IEEE 802.1D STP IEEE 802.1p QoS IEEE 802.1Q Tag VLANs IEEE 802.1s MSTP IEEE 802.1w RSTP IEEE 802.1x PNAC IEEE 802.1ab LLDP | |
| Forward/Filtering Rate | 14,800pps for 10Mbps 148,810pps for 100Mbps 1,488,100pps for 1000Mbps | |
| Processing Type | Store-and-forward Auto-negotiation Half-duplex back-pressure and full-duplex flow control Auto MDI/MDIX | |
| Power | | + |
| Input | 12-48VDC Redundant (Terminal block) | |
| Power Consumption | 15.2W Max | |
| Protection | Reverse Polarity Protection Over Current Protection | |

| Physical | | + |
|-------------------|--|---|
| Casing Material | Aluminum | |
| IP Rating | IP30 | |
| Dimensions | 73 x 125 x 145mm (W x D x H) 2.87" x 4.92" x 5.7" | |
| Weight | 1.25Kg (2.76lbs) | |
| Installation Type | DIN-rail (Top Hat Type 35mm) | |
| Environmental | | + |
| Operating Temp. | -40 to 75°C (-40 to 167°F) | |
| Storage Temp. | -45 to 85°C (-49 to 185°F) | |
| Relative Humidity | 5% to 95% (non-condensing) | |
| Regulatory | | + |
| ISO | Manufactured in ISO-9001 facility | |
| EMI | FCC Part 15B Class A VCCI Class A EN 55032 EN 61000-6-4 EN 61000-3-2 EN 61000-3-3 | |
| EMS | EN 61000-4-2 (ESD) EN 61000-4-3 (Radiated RFI) EN 61000-4-4 (Burst) EN 61000-4-5 (Surge) EN 61000-4-6 (Induced RFI) EN 61000-4-8 (Magnetic field) | |
| Safety | UL 61010 | |
| Vibration | IEC 60068-2-6 | |
| Shock | IEC 60068-2-27 | |
| Free Fall | FED STD 101C Method 5007.1 | |
| Industrial | NEMA-TS2 | |
| Warranty | | + |
| Length | Limited Lifetime | |
| Details | www.etherwan.com/support/warranty-policy | |
| What's Included | | + |
| Device | Ethernet Switch/Extender | |
| Cables | 1 Console Cable | |
| Documentation | Quick install guide | |

Dimensions



Application



Software

Network Management eVue™ Network Configuration and Monitoring Tool

Network Discovery eLite™ Network Discovery and IP Configuration Tool

The screenshot shows the EtherWAN web interface. At the top, there are navigation tabs: Home, Devices, Batch, Group, Events, and Settings. On the right, there are links for Screen Zoom and Logout. The main content area is divided into three sections:

- Device List:** A table with columns for IP, System Name, and Group. It lists 12 devices, all with green status indicators.
- Topology:** A network diagram showing interconnected nodes, some with green status indicators and others with red indicators.
- Latest Events:** A table with columns for Acknowledged, ID, Severity, Time, Service, Node, and Message. It shows several events, including login attempts and ping-monitor alerts.

| IP | System Name | Group |
|----------------|-------------|-------|
| 192.168.50.12 | EG99-5012 | |
| 192.168.50.62 | EX709-5062 | |
| 192.168.50.254 | R50 | |
| 192.168.50.11 | EG99-5011 | |
| 192.168.50.63 | EX74-5063 | |
| 192.168.50.14 | EX779-5014 | |
| 192.168.50.61 | EX71v2-5061 | |
| 192.168.50.44 | EX71-5044 | |
| 192.168.50.64 | EX73-5064 | |
| 192.168.50.34 | EX739-5034 | |

| Acknowledged | ID | Severity | Time | Service | Node | Message |
|--------------|------|----------|------------------------|--------------|--------------|------------------------------|
| ✓ | 5107 | Normal | 6/28/2019, 9:50:35 AM | login | server | User 'admin' logged in. |
| ✓ | 5106 | Normal | 6/27/2019, 10:00:50 AM | login | server | User 'admin' logged in. |
| ✓ | 5105 | Major | 6/24/2019, 1:18:23 PM | ping-monitor | 192.168.1.19 | Web 192.168.1.19 is down. |
| ✓ | 5105 | Major | 6/24/2019, 1:18:23 PM | ping-monitor | 192.168.1.19 | Telnet 192.168.1.19 is down. |
| ✓ | 5104 | Normal | 6/24/2019, 1:12:34 PM | login | server | User 'admin' logged in. |

The screenshot shows the eLite application window. At the top, there are menu items: List Server, Firmware, Configuration, and Help. Below the menu is a toolbar with various icons. The main content area is divided into two sections:

- IP Address and MAC Address List:** A table with columns for IP Address and MAC Address. The first row is highlighted in blue.
- Device Details:** A text area showing detailed information for the selected device, including Model, Firmware, System name, IP, Subnet, Gateway, and MAC.

| IP Address | MAC Address |
|---------------|-------------------|
| 192.168.50.22 | 00:e0:b3:50:22:00 |
| 192.168.50.31 | 00:e0:b3:50:31:00 |
| 192.168.50.72 | 00:e0:b3:50:72:00 |
| 192.168.50.55 | 00:e0:b3:50:55:00 |
| 192.168.50.23 | 00:e0:b3:50:23:00 |
| 192.168.50.73 | 00:e0:b3:50:73:00 |
| 192.168.50.44 | 00:e0:b3:50:44:00 |
| 192.168.50.64 | 00:e0:b3:50:64:00 |
| 192.168.50.43 | 00:e0:b3:50:43:00 |
| 192.168.50.62 | 00:e0:b3:50:62:00 |
| 192.168.50.71 | 00:e0:b3:50:71:00 |
| 192.168.50.24 | 00:e0:b3:50:24:00 |

Model: EX77000
 Firmware: 4.00.0 02/20/19 14:36:22
 System name: EX77v2-5022
 IP: 192.168.50.22
 Subnet: 255.255.255.0
 Gateway: 192.168.50.254
 MAC: 00:e0:b3:50:22:00

Accessories

| | |
|------------------------------|---|
| Hardened 100BASE SFP Modules | + |
|------------------------------|---|

www.etherwan.com/products/sfp-fiber-transceiver

| | |
|------------------------------|---|
| Hardened Gigabit SFP Modules | + |
|------------------------------|---|

www.etherwan.com/products/sfp-fiber-transceiver

| | |
|-------------------------|---|
| DIN-Rail Power Supplies | + |
|-------------------------|---|

www.etherwan.com/products/din-rail-power-supply
