

WRONG WAY WARNING SYSTEMS

*PRODUCT BROCHURE
RELEASE 2020*



One problem, two simple solutions..

WRONG WAY WARNING



UPGRADA

The concept is simple, flashing sign enhancements (we call them rings) get driver's attention, regardless of the conditions

Proven 88% (or better) turnaround rate after encountering the LED flashing signs before entering the mainline and causing a crash

Stretch budgets to cover every ramp and realize Vision Zero goals

Leverages patented wireless Radar Collaboration to ensure accuracy

TraffiCalm™ Wrong Way Solutions check all the boxes in a ruggedized design that will not let you down

WRONG WAY WARNING + MONITORING



All the benefits of our Warning System, plus...

Enhanced collaboration algorithms calculate detections from up to 8 radars for industry topping reliability, and virtually eliminate false alarms

Video notifications delivered over lightning fast 4G networks

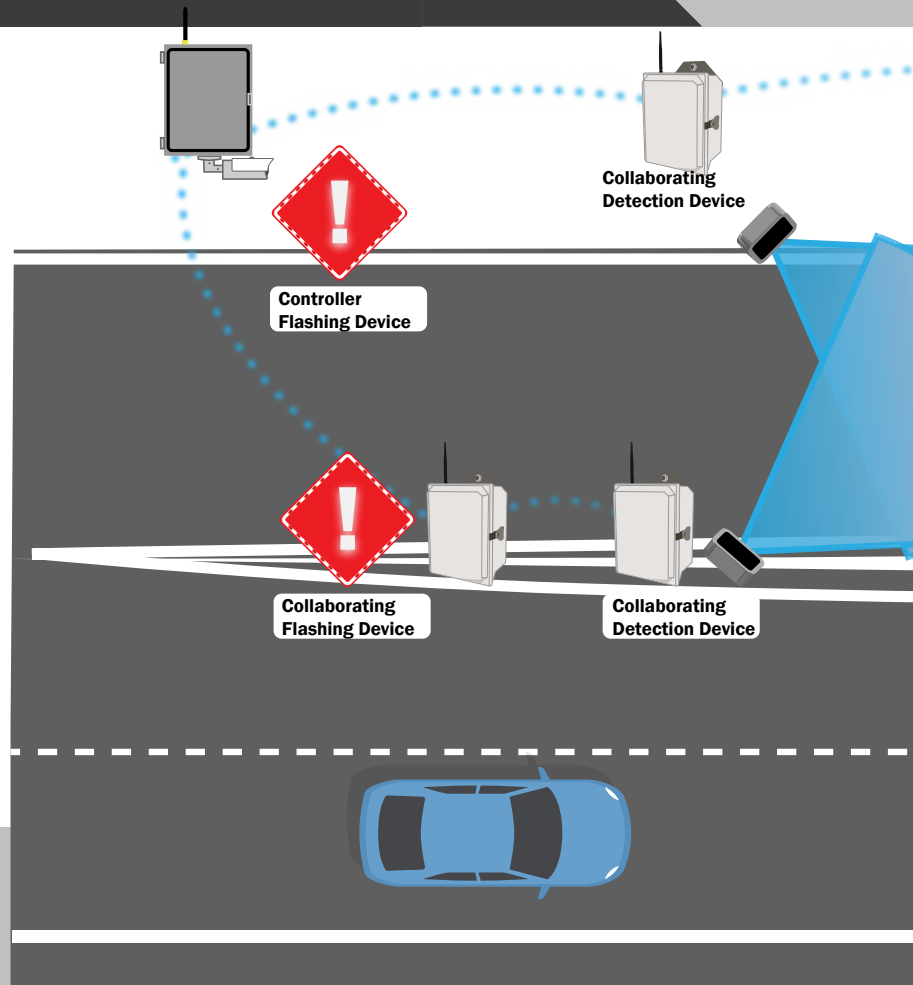
Email, text, and web based notifications personalized to your team's expectations

The Magic of Collaboration

When it comes to Wrong Way Mitigation false detections can't be tolerated.

Our patented wireless collaboration combines information from several radar detectors to produce astounding reliability.

No other solution excludes false detects as intuitively as our Wrong Way Warning Systems



Hundreds of mitigation systems on real streets tell one story, **TraffiCalm™** engineers solutions you can trust

TraffiCalm™ Wrong Way Solutions are designed for tomorrow's roads on today's budget

Retrofit Installation

Reuse existing signs, posts, and infrastructure

Capitalize on existing investment

Requires less planning and fewer permits

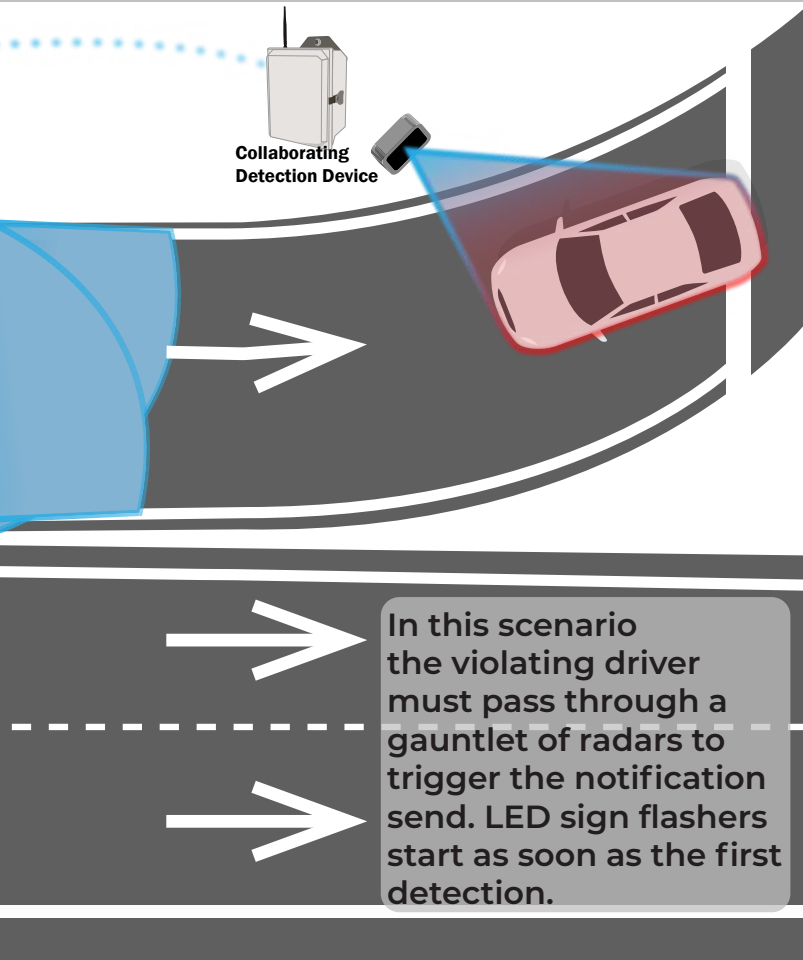
Upgradable

Start with our Warning System today, upgrade to +Monitoring down the road

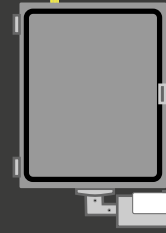
Zero waste scenario uses all components

Connected vehicle ready

Just 5 Components



+MONITORING
CONTROLLER



WARNING
CONTROLLER



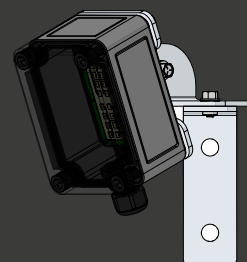
COLLABORATORS



FLASHING SIGN
RING



RADAR
DETECTOR



TraffiCalm™ Products are designed to be familiar for any application. Wrong Way Warning Systems are no different

With 5 basic components, we can build hundreds of safety applications

One Controller commands a wireless network of many Collaborators each connected to Radar Detectors and/or Flashing Sign Rings

Easy to use TC-Connect configuration software can be accessed, download free, from any wi-fi equipped device- making setup a breeze, even for complex systems

M75-SA300-RDR0 Radar Detector

Specifications

Physical Description

- Size: 3.75" W x 2.5" H x 2.25" D Weight: 2.5 Lbs
- Mounting: Universal bracket accommodates most industry standard round or square posts of suitable load rating

Detection

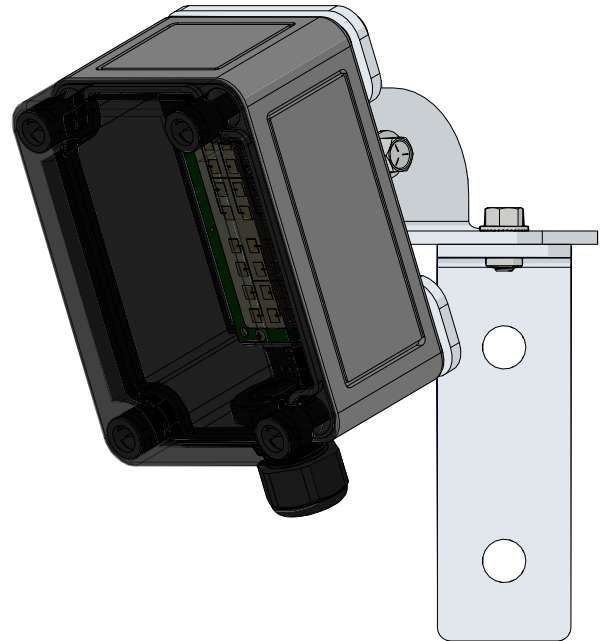
- Speed Resolution Min 5mph, Max 139 (8kph to 223kph)
- K-Band (24.15GHz), direction sensing, license free (FCC Part 15 compliant)
- Range: 1000 ft. (365m)

Compatibility

- Integrates with all Trafficalm SA300 Controllers and Collaborators

Environmental

- Nema 4 Enclosure
- Potted electronics (hermetically sealed)
- -34° C to + 60° C operating range (-29° F to +140° F)



Wrong Way Sign Enhancement Rings

Specifications

- Available Sizes: 36"x24", 42"x30", and 48"x36"
- Retrofits to any existing Wrong Way Sign manufactured to MUTCD requirements of corresponding size with no hardware or wiring exposed on reverse of the sign
- Mounting: all LED hardware mounted within the white border of the sign. Mounted either with adhesive backing or included self tapping screws. Rivets may be utilized to improve tamper resistance
- MUTCD compliant LED placement and usage
- 10ft. (3m) single cable extension to reach Controller or Collaborator
- Red LEDs with 30° Viewing Angle



MUTCD Sign Size	Part Number	Ring Width (A)	Ring Height (B)	Ring Width (C)	LED Offset (D)	LED Count	Light Output (cd)	Power (Watts)
36"x24"	M75-R3624-WR03	36"/91cm	24"/61cm	.625"/1.6cm	1.9"/4.8cm	48	324000	3.84
42"x30"	M75-R4230-WR03	42"/106cm	30"/76cm	.625"/1.6cm	1.9"/4.8cm	60	405000	4.80
48"x36"	M75-R4836-WR03	48"/122cm	36"/91cm	.625"/1.6cm	1.9"/6.1cm	72	486000	5.76

Warning Controller and Collaborators

Specifications

All Controller and Collaborator Models Feature:

Physical Description

- Mounting: Universal bracket accommodates most industry standard round or square posts of suitable load rating
- Nema 4x enclosure, all electronics potted
- Stainless fasteners used for corrosion resistance

Input/Output

- Inputs: 1 per controller, accept dry contact closure, optional input devices include Push Button, Environmental sensors, and others.
- Outputs: 2 per controller, 12W max requirement, output devices include Sign Rings, RRFBs, Beacons
- Radar Port: accepts input from TrafficCalm™ Lite Radar
- Alternative Sign Flashing: utilizes Radar Port + and -, radar input cannot be used in this scenario

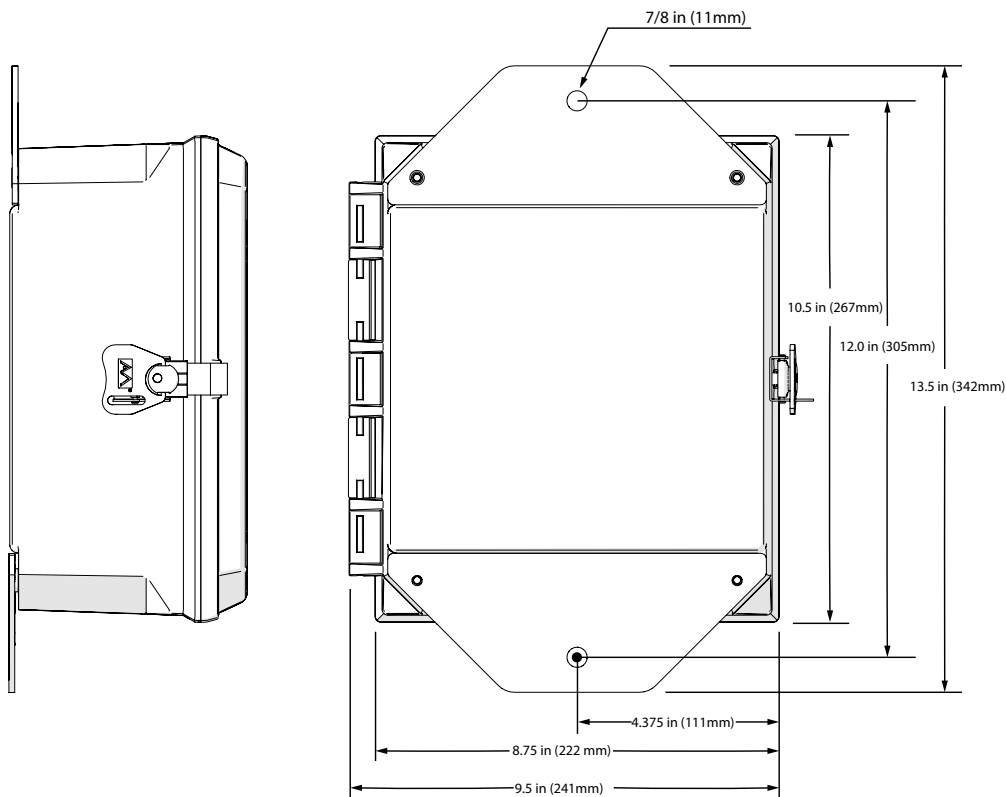
- Light sensor for configurable auto-dimming feature

TC Connect™ Human Interface

- WiFi Connectivity on any device - No Internet Connection required
- Mode Selection: Collaboration, Push 2 Cross, etc.
- Configurable Flash Duration
- Unified Wireless Collaboration Activation and Setting
- Configurable auto dimming profiles

Other Info

- Wireless activation within 100 mS
- Wireless range of 1000'/305m
- -34° C to +50° C operating range (varies with battery type used)
- 5 year warranty, excluding batteries



Specifications

Physical Description

- Mounting: Universal bracket accommodates most industry standard round or square posts of suitable load rating
- Nema 4x enclosure
- Stainless fasteners used for corrosion resistance

Input/Output

- Inputs: 1 per controller, accept dry contact closure, optional input devices include loop detectors
- Outputs: 2 per controller, 12W max, output devices include Sign Rings, RRFBs, Beacons
- Radar Port: accepts input from TrafficCalm™ Radar Detector
- Light sensor for configurable auto-dimming feature
- 12-21 VDC input from AC or Solar supplies

TC Connect Human Interface

- WiFi Connectivity on any device - No Internet Connection required
- Mode Selection: Collaborative Detection, Curve Warning, etc.
- Configurable Flash Duration

- Wireless Collaboration Activation and Radar sensitivity settings
- Configurable auto dimming profiles

Performance

- Wireless activation within 100 mS
- Wireless range of 1000'/305m
- -34° C to +50° C operating range (varies with battery type used)
- 5 year warranty, excluding batteries

Camera Highlights

- 1/2.8" 2MPH Starlight CMOS Sensor
- 1080p resolution
- H.265 compression
- Motorized 2.8-12mm, F1.6 lens
- Smart IR with 50m effective range
- Defog mode
- 3 axis angle adjustable
- IP67 weatherproof

Modem Highlights

- 4G LTE with 3G/2G fallback
- 50mbps Upload
- Dual SMA dipole antennas
- 580 MHz Processor, 128MB Ram
- FCC Part 15 Class C and RoHS certifications

